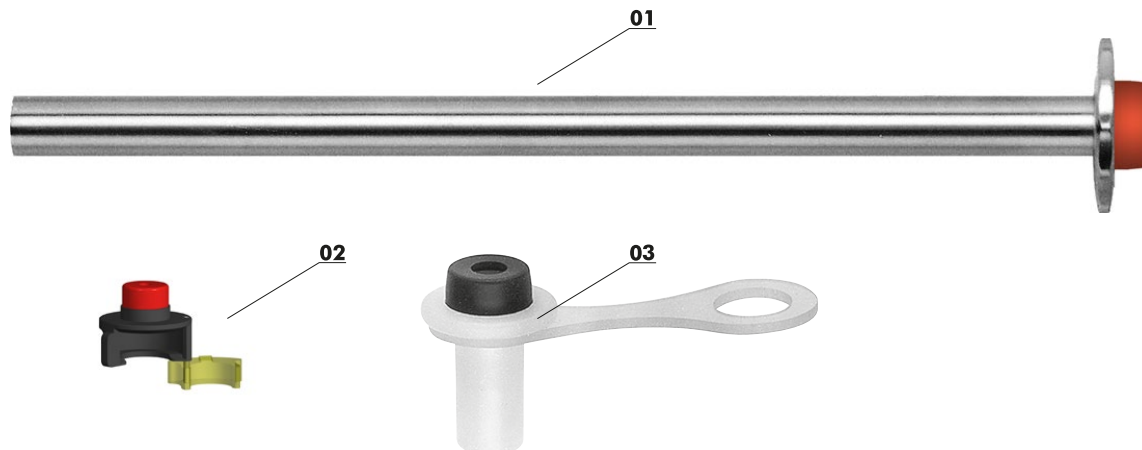




Reducer 73-072-01 - 73-076-03



01 Reducer-Sleeve

02 Slide-Reducer for trocar sleeves 73-005-03 - 73-033-12

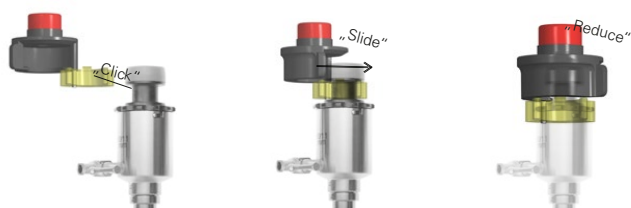
03 Reducer with Silicone-Latch

Cleaning and Sterilization

To prevent residue, left over from the operation and subsequent bacteria from drying in the endoscopic areas, the instrument must be immediately immersed directly after usage in a combined disinfection and cleaning liquid. Cleaning must be thoroughly carried out to remove blood, pus and protein residue. Before sterilization, moving parts must be lubricate with oil as well as stopcocks and valves with grease. We recommend our lubricator. Please check after sterilization if plastic parts are not cracked, brittle or teared out. In case of damage, the old part must be replaced with a new original part.

Application of Reducer

- Reduction Sleeve: Is fully inserted into the trocar.
- Reducer with flap: First, the flap is put over the trocar housing. The reducer can then be inserted into the trocar.
- Sliding Reducer: Is clicked onto the housing of the trocar. If requested, the sealing cap hub can be swiveled.
- Plastic Reducer: Is inserted into the trocar housing.



Disassembly of Reducer

Please disassemble only pre-washed instruments. Pull the sealing cap off the housing.

The Reducer is now completely disassembled.



Assembly of Reducer

Press the sealing cap tightly onto the housing. Check the instrument for proper function.

The Reducer is now completely assembled.



Please pay attention to our general information for Care, Maintenance and Cleaning GA-01

AMNOTEC INTERNATIONAL MEDICAL GMBH DOES NOT ACCEPT RESPONSIBILITY IF THIS CUSTOMER INFORMATION HAS BEEN VIOLATED PROVABLY.